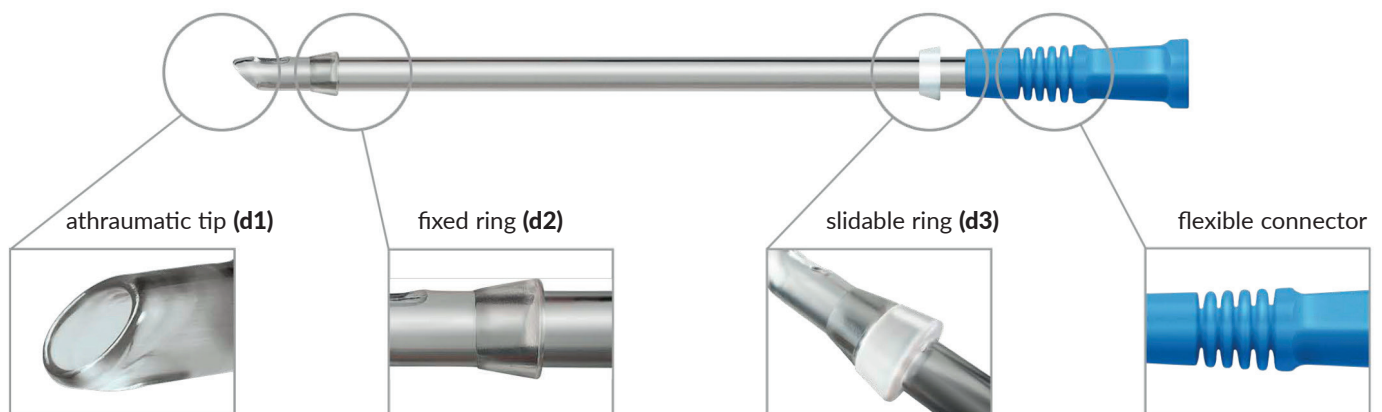


Full range of perfusion cannulas – from adjustable multiorgan procurement cannulas, back table kidney perfusion adapter to small size liver procurement cannulas and custom made versions.

OUR CANNULAS



Cannula size	d1 mm (F)	d2 mm (F)	d3 mm (F)
8F	2.7 (8F)	4.7 (14F)	—
10F	3.3 (10F)	5.3 (16F)	—
12F	4.0 (12F)	6.3 (19F)	—
16F	5.3 (16F)	7.3 (22F)	8.7 (26F)
20F	6.7 (20F)	9.3 (28F)	10.7 (32F)
25F	8.3 (25F)	11.3 (34F)	13.3 (40F)

14 YEARS WITH POLISH TRANSPLANT PHYSICIANS

14 YEARS OF EXCITEMENT AND FASCINATION

Since we provide all kinds of solutions for organ perfusion and preservation we kindly encourage you to check, order and test other products from our offer. Put your trust in our expertise and ensure high efficiency of transplantation process while reducing the procedure costs. We are proud that we offer innovative products for your convenience. Feel free to visit our www.carnamedica.com web page and contact us anytime you need."

Paweł Szczudło MD – Owner

OUR PROCUREMENT CANNULA RANGE

LIVER

each pack contains 10 pcs

8F



10F



12F



KIDNEY

BACK TABLE PERFUSION ADAPTER



each pack contains 10 pcs

MULTIORGAN PROCUREMENT

each pack contains 10 pcs

16F (adjustable to 18F)



20F (adjustable to 28F)



25F (adjustable to 34F)



Kaniula do perfuzji narządów
Cannula for organ perfusion

8F

Wyrób przeznaczony wyłącznie do perfuzji narządów w procesie przygotowania do transplantacji. The device is intended to be used only for organ perfusion within preparation process for transplantation.

Ver. KP/2020/01/31

CE
2274

MD 5°C - 45°C STERILE EO

Cannula for organ perfusion
8F

LOT 20200128

(01) 5 9068748 79405 2 (17) 200303 (10) 20200128

2020-01-28

Carnamedica Sp. z o.o.
ul. Olszynki Grochowskiej 21 lok.U6
04-281 Warszawa Polska
www.carnamedica.com
email: office@carnamedica.com
Tel (+48) 608336159

2023-01-28

REF KP8-14

Documentation sticker